

B6 UPRIGHT BIKE

SKU: CT-B6



Soft gripped handle bars and padded elbow rests w/ handrail sensors



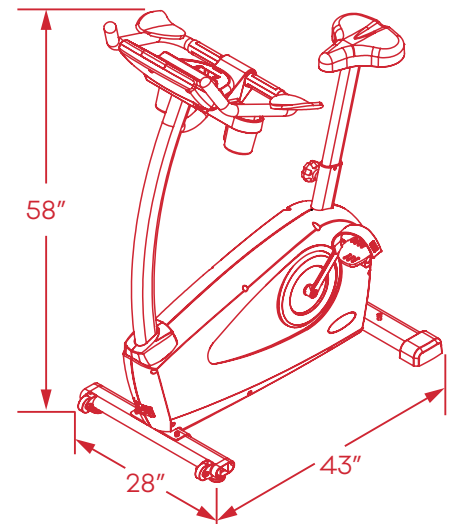
Intuitive, LED console with reading rack/tablet holder



Easy-pull seat adjustment to 12-levels

STANDARD FEATURES

- Cordless-self-powered.
- Ergonomic, over-sized slip-resistant pedals and adjustable straps.
- Easy-pull, 12-level adjustable seat height.
- Triathlon-style handlebars.
- Convenient reading rack/tablet holder.
- Space saver-small footprint.
- Zinc-dipped anti-corrosion coating for superior rust protection.
- Full commercial components on a durable commercial frame.





TECHNICAL AND CONSOLE SPECIFICATIONS

TECHNICAL SPECIFICATIONS	PEDAL SPACING	9.8 in (24.8 cm)
	DRIVE SYSTEM	Self-Generating Electric Hybrid with Flywheel
	RESISTANCE LEVEL	16 levels
	RESISTANCE SYSTEM	Magnetic
	MAXIMUM USER WEIGHT	400 lbs (181.4 kgs)
	TRANSPORT WHEELS	Easy-to-move with front-mounted dual wheels
ELECTRICAL SPECIFICATIONS	POWER REQUIREMENT (B6)	Self Generation
	MAXIMUM WATT @ 60 RPM	250W
	MINIMUM WATT @ 60 RPM	20W
	MINIMUM RPM	30 RPM
FRAME	FRAME MATERIAL	Zinc-dipped, powder-coated steel frame
	COLOR OPTIONS	Jet Black
	NET WEIGHT OF FRAME & CONSOLE	113.3 lbs (51.5 kgs)
	PACKAGED WEIGHT	125.4 lbs (57 kgs)
DIMENSIONS	EQUIPMENT DIMENSIONS	43 (L) X 28 (W) X 58 (H) in / 1090 (L) X 700 (W) X 1450 (H) mm
	PACKAGING DIMENSIONS	46 (L) X 15 (W) X 30 (H) in / 1160 (L) X 363 (W) X 755 (H) mm
DISPLAY AND CONNECTIVITY	SCREEN	8x16 Dot-Matrix w/ Message Window + HR Status Bar
	LANGUAGE OPTIONS	English
	PRE-PROGRAMMABLE WORK OUTS	Yes, 10
	QUICK START OPTIONS	Yes
	CSAFE	Optional
	HEART RATE (HR) DETECTION	Hand Pulse (5kHz Wireless)